



**Drafting Virtual Learning**

**HS Machine Drafting**

**Design Lesson 3**

**April 8 , 2020**

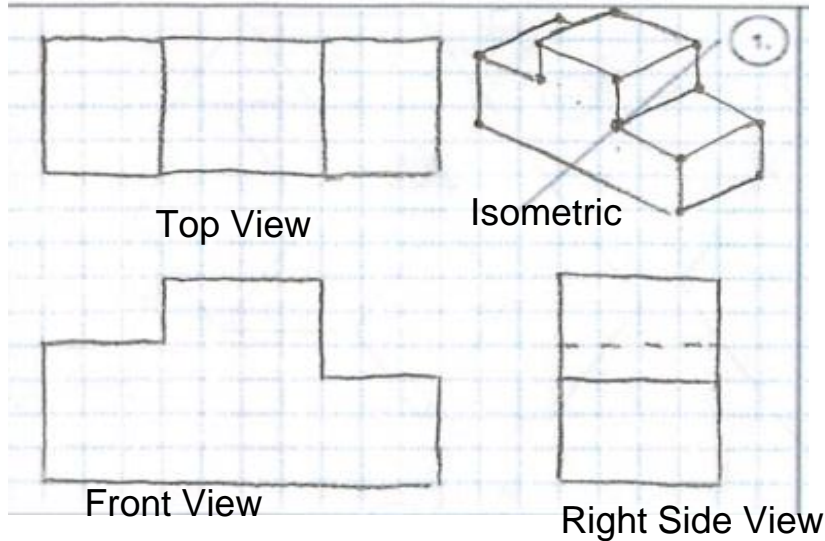


## **Objective/Learning Target:**

Students will continue to Draw Complex Multi-View Sheet Drawings with Isometrics.

# Bellwork:

This example should be copied in your engineers notebook or on graph paper. Make sure you layout a Multi-View Sheet Drawing like this.



Multi-View Drawing Example

# Let's Get Started:

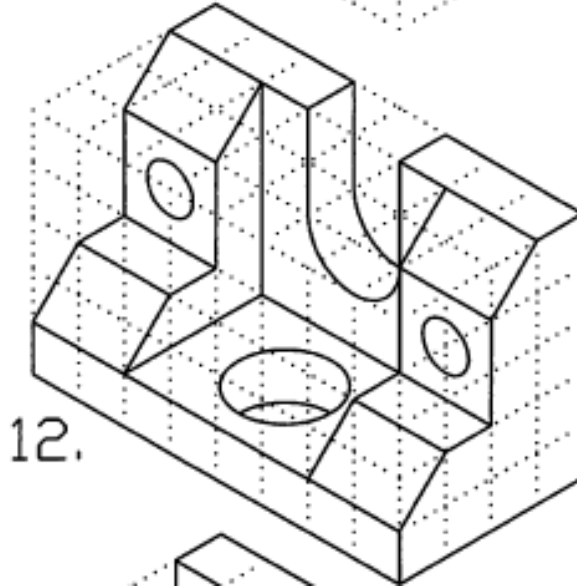
This video showed how to create multi-view drawings.

<https://www.youtube.com/watch?v=Evqg0L4KMI8>

Notice the placement of the Front, Top and Right Side Views in relation to the Isometric.

# Learning Practice:

Create a Multi-View Sheet Drawing  
in Your Engineers Notebook or on the graph that you print  
from page 7 or the link provided on page 8.



# Check For Understanding:

Does your drawing look like this?

MAKE SURE Edges ARE lined up

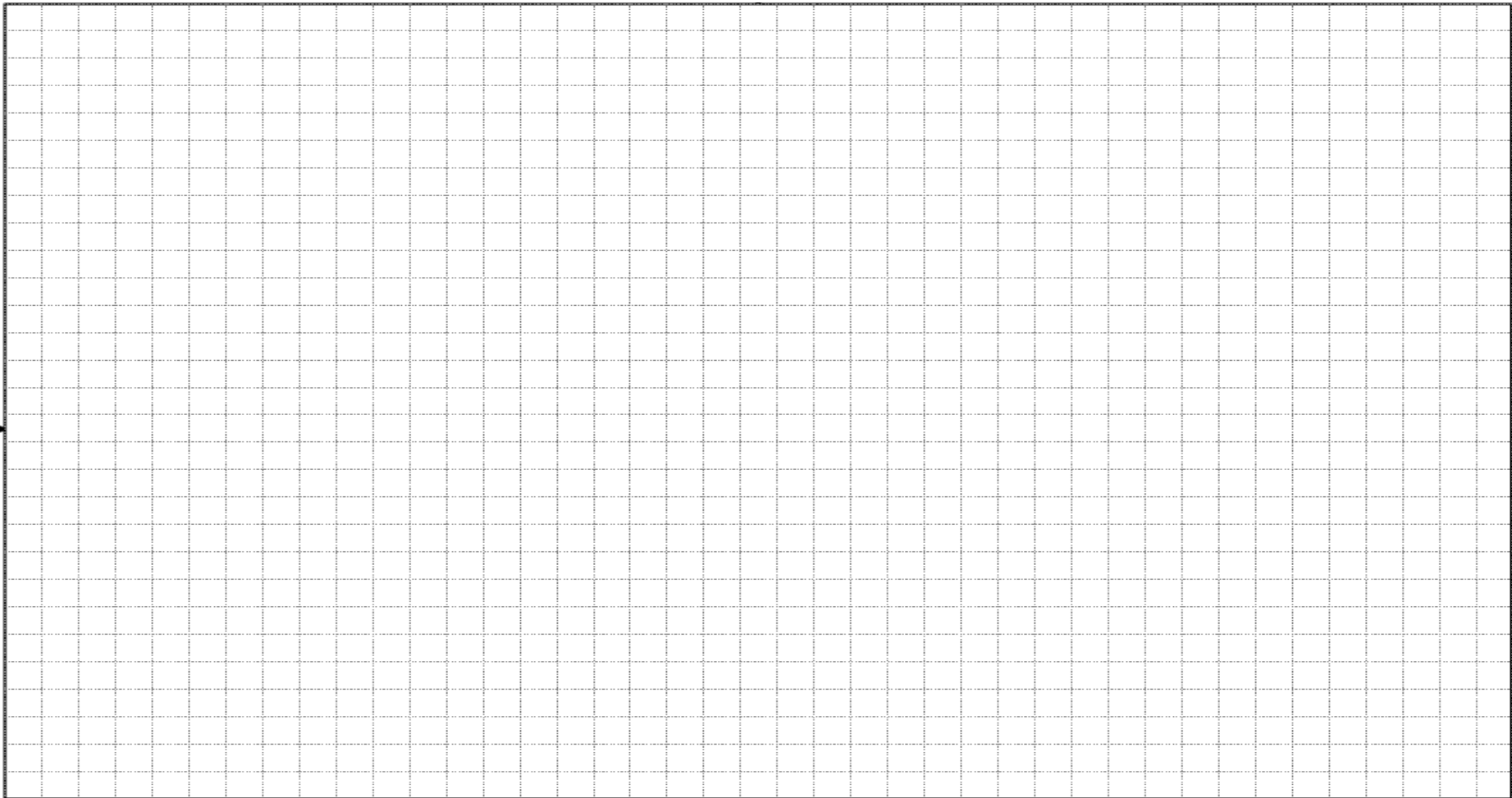
TOP

Front

Rt Side

ISOMETRIC (Keep trying the Isometric. Print Iso paper to help!)

NAME	MR LEUTZINGER	TITLE	Multi-View Lesson 3	DATE	4/9/2020	PERIOD	
------	---------------	-------	---------------------	------	----------	--------	--



**NAME**

**TITLE**

**DATE**

**PERIOD**

## Learning Resource Links:

Multi-View Drawing Creation

<https://www.youtube.com/watch?v=Evqg0L4KMI8>

Grid and Isometric Graph paper

[https://www.printablepaper.net/category/isometric\\_graph](https://www.printablepaper.net/category/isometric_graph)